


Models 60-1, 60-2, F60-1, F60-2 Replacement Parts

Key #	Part Number	Std. Pkg.	Description	Ship Wt Lbs.
2	000-0814-132	1	Safety Float Switch	1
3	A00-1309-012	1	Float Only for Water Fill Valve	1
4	000-1731-012	1	Water Fill Valve & Arm Assembly	1
5	A01-1730-078	1	Water Pan Assembly	7
6	000-0641-150	1	Cover	2
8	000-0431-031	1	Control Relay DPST 24 Volt	1
9 & 10	A00-0811-120	1	Fan Wiring Assembly	1
11	000-0814-135	1	Humidistat Control Terminal Block	1
12	000-0814-139	1	Indicator Light	1
13	000-0431-030	1	Thermal Fan Control "Thermostat"	1
14	000-0814-134	1	Power Distribution Terminal Block	1
16	A00-1128-005	1	Saddle Valve	1
17	SK0-0055-001	1	Manual Humidistat	1
18	000-1319-065	1	Drain Cock Valve	1
19	A00-1319-067	1	Drain and Overflow Bushing (Includes Overflow Bushing, Washer, & Lock Nut)	1
20	000-1106-034	1	90° Barbed Elbow	1
Not Shown	A00-0693-020	1	9 pc. Gasket Set (Includes Drain, Overflow, Thermostat, Safety Float & Heater Washers)	1
Not Shown	000-0431-039	1	Safety Control Shut Off	1
Not Shown	A01-1707-107	1	Mounting Frame	1
Not Shown	A00-0431-029	1	External Fan Relay	1

Model 60-1, 60-2, F60-1, F60-2 Replacement Parts Not Shown

	00S-HAFT-000	1	Automatic Humidifier Flushing Timer	4
Not Shown	A03-0815-017	1	Flushing Timer Repair Kit (Includes Timer, Transformer and Solenoid Valve)	3
Not Shown	WF-10	1	Chlorine Removal Filter For Steam Humidifiers	1



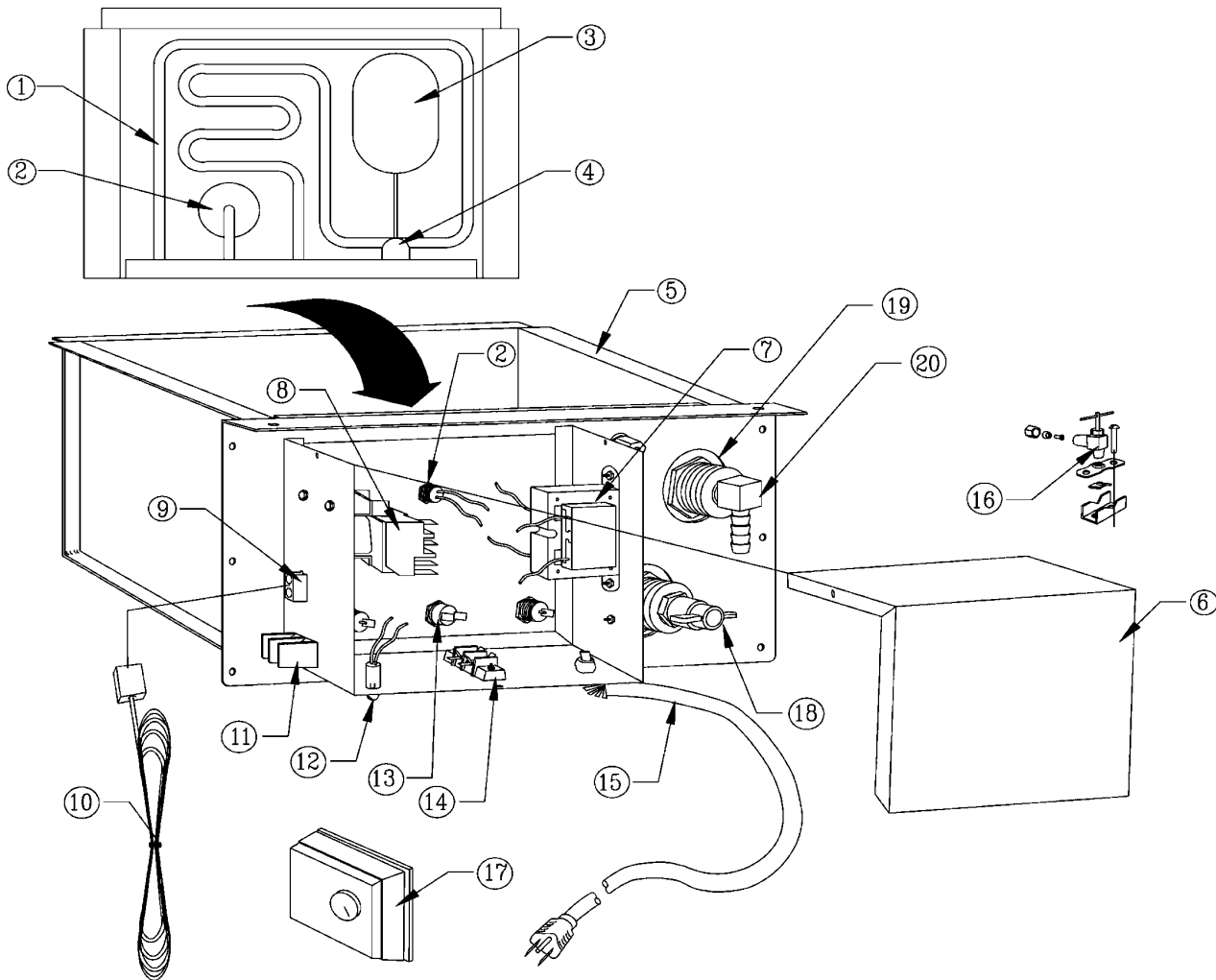
Phone (Toll-Free): 888-SKUTTLE (888-758-8853)

Fax: 740-373-9565

Skuttle Hours: 8:00 AM to 4:30 PM M-F (Eastern Standard Time)

E-mail: orderentry@skuttle.com | www.skuttle.com

Models 60-1, 60-2, F60-1, F60-2 Replacement Parts



Model 60-1, F60-1 Replacement Parts that Differ from 60-2, F60-2

Key #	Part Number	Std. Pkg.	Description	Ship Wt Lbs.
1	000-0430-055	1	120 Volt Heater	2
7	000-0814-133	1	Transformer 120 Volt Primary 24 Volt Secondary	1
15	000-0811-107	1	120 Volt Power Supply Cord	1

Model 60-2, F60-2 Replacement Parts that Differ from 60-1, F60-1

Key #	Part Number	Std. Pkg.	Description	Ship Wt Lbs.
1	000-0430-056	1	240 Volt Heater	2
7	000-0814-140	1	Transformer 240 Volt Primary 24 Volt Secondary	1
15	000-0811-108	1	240 Volt Power Supply Cord	1



Phone (Toll-Free): 888-SKUTTLE (888-758-8853)

Fax: 740-373-9565

Skuttle Hours: 8:00 AM to 4:30 PM M-F (Eastern Standard Time)

E-mail: orderentry@skuttle.com | www.skuttle.com