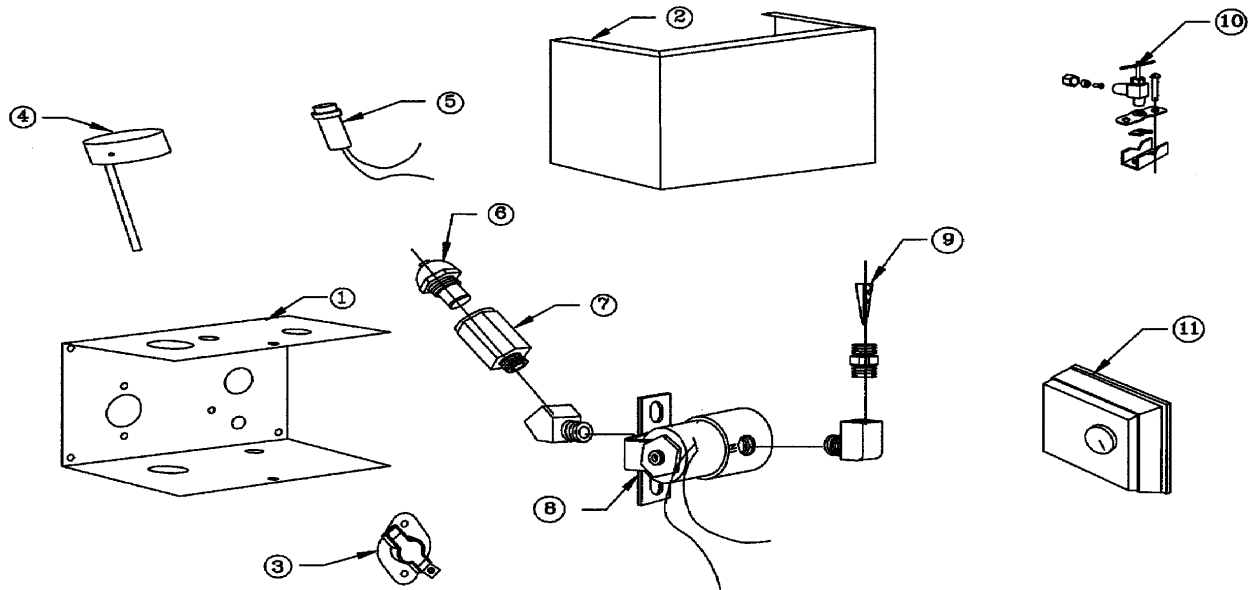


# Model 592-22 Replacement Parts



Key #	Part Number	Std. Pkg.	Description	Ship Wt Lbs.
1	000-1715-013	1	Mounting Base	1
2	A00-0641-099	1	Cover & Label Assembly	1
3	000-0431-019	1	Thermal Switch (only for 592-22)	1
4	A00-1319-034	1	Copper Drain Basin Assembly	1
5	000-0814-070	1	24 VAC Indicator Light	1
6	000-1106-018	1	.50 G.P.H. Nozzle (factory standard)	1
7	000-1319-055	1	Nozzle Body	1
8	A01-0814-148	1	24 Volt Solenoid (Universal Kit)	1
9	000-1319-051	1	Inline Filter	1
10	A00-1128-005	1	Saddle Valve	1
11	SK0-0055-001	1	Humidistat Assembly	1
Not Shown	K00-0592-000	1	Small Parts Kit (Includes 45 and 90 Degree Elbows and compression Fittings w/Filter)	1

\*Additional Nozzle Sizes Available

6	000-1106-017	1	.37 G.P.H. Nozzle	1
6	000-1106-019	1	.75 G.P.H. Nozzle	1



Phone (Toll-Free): 888-SKUTTLE (888-758-8853)

Fax: 740-373-9565

Skuttle Hours: 8:00 AM to 4:30 PM M-F (Eastern Standard Time)

E-mail: [orderentry@skuttle.com](mailto:orderentry@skuttle.com) | [www.skuttle.com](http://www.skuttle.com)