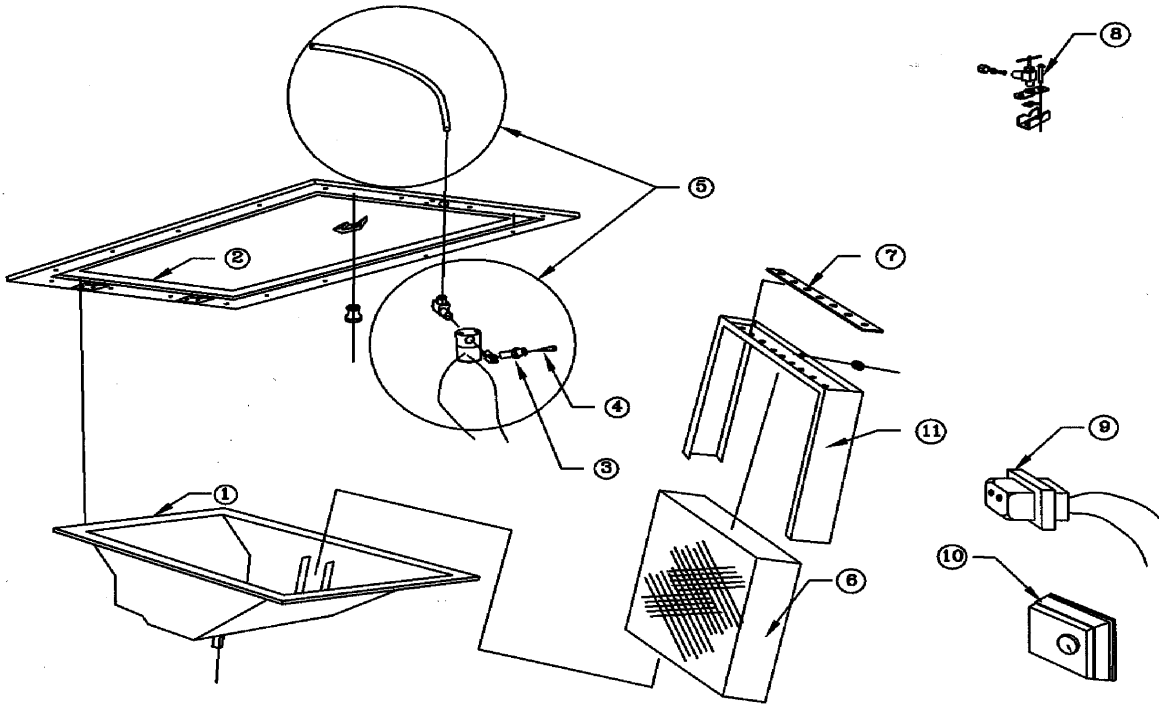


Model 55-UD Replacement Parts



Key #	Part Number	Std. Pkg.	Description	Ship Wt Lbs.
1	A00-0602-049	1	Water Pan Assembly	5
2	A00-1707-086	1	Mounting Frame Assembly	3
3	000-1106-037	1	Orifice & Filter Fitting, Includes Filter (Key #4) Compression Nut and Ferrule	1
4	000-1319-051	1	Inline Filter	1
5	A01-0814-148	1	24 Volt Solenoid (Universal Kit)	1
6	A04-1725-045	12	Replacement Media with Wick	1
7	000-1317-086	1	Wick	1
8	A00-1128-005	1	Saddle Valve	1
9	000-0814-008	1	Transformer 24V, 10VA, 120V Primary	1
10	SK0-0055-001	1	Manual Humidistat	1
11	A00-1715-025	1	Pad Frame, Includes Wick & Grommet	1
Not Shown	K00-0055-000	1	Small Parts Kit (Includes Wick, Grommet, Latches, Drain Fitting, Washer, Nut & Water Feed Tube)	1



Phone (Toll-Free): 888-SKUTTLE (888-758-8853)

Fax: 740-373-9565

Skuttle Hours: 8:00 AM to 4:30 PM M-F (Eastern Standard Time)

E-mail: orderentry@skuttle.com | www.skuttle.com