

The Skuttle® Make-Up Air Diffuser

for a safer, more comfortable home environment

Many of today's homes are heavily insulated and have well-sealed windows and doors. Because of this tight construction, nature has a hard time replenishing air consumed by the home's furnace, hot water heater, fireplace and ventilating fans. As a result, negative air pressure builds up in the home, causing drafts around doors, windows . . . anyplace outside air can enter to replace the exhausted (used) air. If there are not sufficient openings for outside air to seep in, negative pressure will increase, resulting in *back drafting* – a condition in which negative pressure pulls air down a flue pipe or chimney, potentially releasing carbon monoxide and other toxic gasses into the home.

Skuttle Indoor Air Quality Products' **Make-Up Air Diffuser** is designed so that cool air enters the Diffuser (without the aid of electricity or any power source) and sinks to the bottom of the unit. As the temperature rises, the air naturally rises and is dispersed (or *diffused*) through the unit's front and side grill. This yields three significant benefits:

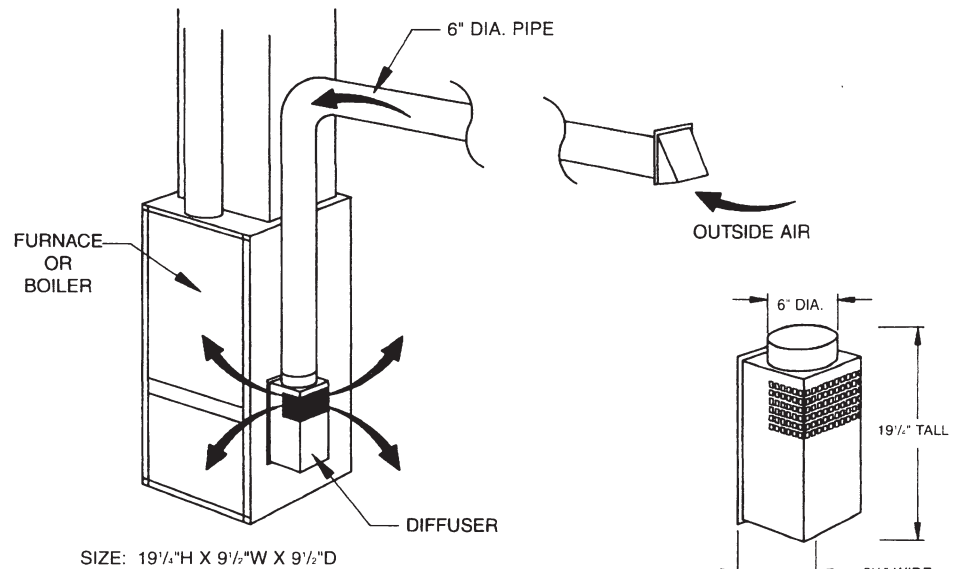
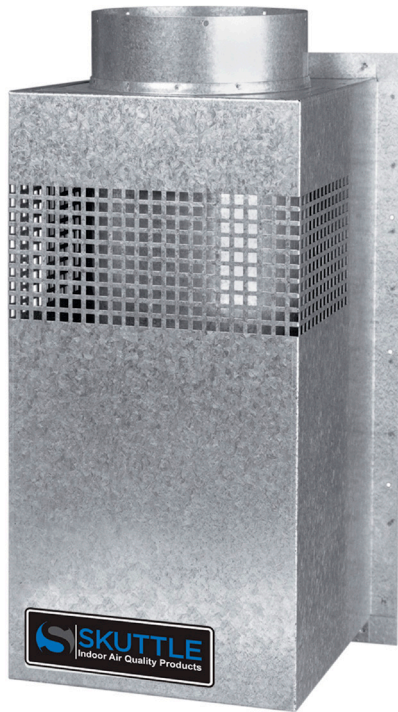
1. It provides additional combustion air for air-consuming appliances.
2. It helps replace the home's exhausted air.
3. It allows warmed, fresh air to mix with localized indoor air to help prevent excessively cold or freezing temperatures.

Skuttle enhances residential indoor air quality by providing products that *humidify*, *filtrate* and *ventilate* homes. For more information on how Skuttle can help make your home a healthier, more comfortable place to live, contact your HVAC contractor or Skuttle Indoor Air Quality Products.



101 Margaret Street, Marietta, OH 45750
Phone: 888-SKUTTLE (758-8853) • Fax: (740) 373-9565
Email: techservice@skuttle.com • Web: www.skuttle.com

Installation Instructions for Skuttle® Make-Up Air Diffuser for Make-Up and Combustion Air



Read and save these instructions.

With the installation of the **Skuttle Make-Up Air Diffuser**, you will enable clean, fresh air to enter your home whenever there is a negative air pressure buildup or need for replacement (make-up) air.

If possible, the Diffuser should be installed within one foot of the furnace vestibule (see diagram), in accordance with local codes and ordinances. It may be attached directly to the furnace cabinet, or placed on a nearby wall or substantial support structure.

1. Mount the Diffuser in a vertical position with the #8 sheet metal screws provided.

CAUTION: Do not drill into any electrical wiring or refrigeration lines during installation.

2. Select a location for the outside air-intake vent. Cut the outside opening allowing room for a 6" diameter duct to be installed.

CAUTION: To prevent contaminated air from entering the inlet, make sure the location you select is at least 10 feet from any discharge source – e.g., an exhaust vent, sewer vent, dryer vent or combustion outlet.

3. Install the 6" diameter flexible duct between the Diffuser and the inlet hood.

NOTE: Six inch tubing is not supplied because lengths vary greatly from home to home.

4. Tape and seal all joints. Insulate the tubing in areas where outdoor winter temperatures drop to 32°F or lower, or where water damage could occur.

CAUTION: In homes with extreme negative pressures, the influx of cold outdoor air into the Diffuser may reduce temperatures in the surrounding area, possibly resulting in freezing conditions. In cold regions of the country where this could occur, **insulate plumbing or supply additional heat to the area.**